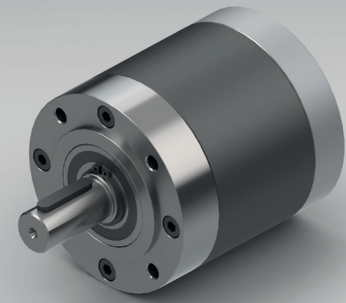


PLANETARY GEARBOX GPL0120



		1-STAGE	2-STAGE	3-STAGE	
Ratio i:1	Max. motor shaft-ØD		Ratio i:1	Max. motor shaft-ØD	
			49	19	
		12.25	24	56	19
		14	19	64	19
		16	19	70	19
		20	19	80	19
3.5	24	24	19	100	19
4	19	25	14	120	19
5	14	30	14	144	19
6	10	36	10	180	14

Standard scope of delivery Gearbox lubricated for duration of service life, dust-proof package, motor pinion, mounting screws, paper gasket and assembly instructions (adapter plate optional).
Customized versions also available for small quantities.

Rated torque continuous	Type Standard	Type R	Nm	25	130	350
Rated torque intermittent	Type Standard	Type R	Nm	50	250	600
Rated torque continuous	Type V	Type S	Nm	50	250	350
Rated torque intermittent	Type V	Type S	Nm	100	350	600
Max. efficiency at rated torque			%	-	-	-
Average backlash at no load	Type Standard	Type V	arcmin ≤	20	35	50
Average backlash at no load	Type R		arcmin ≤	10	20	30
Average backlash at no load	Type S		arcmin ≤	6	12	15
Weight without adapter plate			g	5000	7250	9500
Dimension L			mm	73	103	133
Dimension L1			mm	48		44.5
Dimension A			mm	21.0		17.5
Dimension B			mm	48		44.5
Max. radial load	F _R	25 mm from shaft end	N		1500	
Max. axial load	F _A		N		1200	
Max. continuous rated speed at drive			min ⁻¹		3000	
Max. intermittent rated speed at drive			min ⁻¹		5000	
Temperature range			°C		-25 / +90	

Type V = heavy duty version | Type R = reduced backlash version | Type S = low backlash version

Changes reserved © GYSIN AG | 10/2014