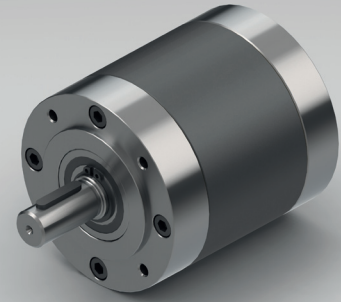


Standard scope of delivery Gearbox lubricated for duration of service life, dust-proof package, motor pinion, mounting screws, paper gasket and assembly instructions (adapter plate optional).
Customized versions also available for small quantities.

PLANETARY GEARBOX GPL090



| | | 1-STAGE | 2-STAGE | 3-STAGE | | |
|--|-----------------------------------|------------------------|-----------------------------------|-----------|-----------------------------------|-------|
| Ratio i:1 | Max. motor shaft- $\varnothing D$ | Ratio i:1 | Max. motor shaft- $\varnothing D$ | Ratio i:1 | Max. motor shaft- $\varnothing D$ | |
| | | | | 49 | 14 | |
| | | 56 | 14 | | | |
| | | 12.25 | 16 | 64 | 14 | |
| | | 14 | 14 | 70 | 14 | |
| | | 16 | 14 | 80 | 14 | |
| | | 20 | 14 | 100 | 14 | |
| | | 24 | 14 | 120 | 14 | |
| | | 25 | 11 | 144 | 14 | |
| | | 3.5 | 16 | 30 | 11 | 184 |
| 4 | 14 | 30.67 | 14 | 235.11 | 14 | |
| 5 | 11 | 38.33 | 11 | 293.89 | 11 | |
| 6 | 8 | 46 | 8 | 352.67 | 8 | |
| 7.67 | 6 | 58.78 | 6 | 450.63 | 6 | |
| Rated torque continuous | Type Standard | Type R | Nm | 6 | 30 | 75 |
| Rated torque intermittent | Type Standard | Type R | Nm | 12 | 60 | 150 |
| Rated torque continuous | Type V | Type S | Nm | 12 | 60 | 75 |
| Rated torque intermittent | Type V | Type S | Nm | 24 | 75 | 150 |
| Max. efficiency at rated torque | | | % | 90 | 85 | 80 |
| Average backlash at no load | Type Standard | Type V | arcmin \leq | 20 | 35 | 50 |
| Average backlash at no load | Type R | | arcmin \leq | 10 | 20 | 30 |
| Average backlash at no load | Type S | | arcmin \leq | 6 | 12 | 15 |
| Weight without adapter plate | | | g | 2250 | 3250 | 4250 |
| Dimension L | | | mm | 56.5 | 79 | 101.5 |
| Dimension L1 | | | mm | 38 | | 35 |
| Dimension A | | | mm | 16 | | 13 |
| Dimension B | | | mm | 38 | | 35 |
| Max. radial load | F _R | 17.5 mm from shaft end | N | | 500 | |
| Max. axial load | F _A | | N | | 400 | |
| Max. continuous rated speed at drive | | | min ⁻¹ | | 4000 | |
| Max. intermittent rated speed at drive | | | min ⁻¹ | | 6000 | |
| Temperature range | | | °C | | -25 / +90 | |

Type V = heavy duty version | Type R = reduced backlash version | Type S = low backlash version

Changes reserved © GYSIN AG | 10/2014