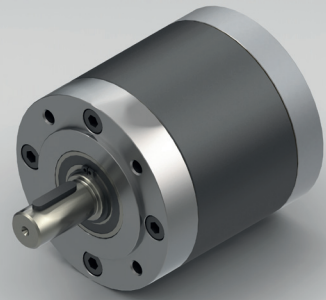


PLANETARY GEARBOX GPL0105



		1-STAGE	2-STAGE	3-STAGE	
Ratio i:1	Max. motor shaft-ØD	Ratio i:1	Max. motor shaft-ØD	Ratio i:1	
				49	16
				56	16
		12.25	19	64	16
		14	16	70	16
		16	16	80	16
		20	16	100	16
		24	16	120	16
		25	12	144	16
3.5	19	30	12	184	16
4	16	30.67	16	235.11	16
5	12	38.33	12	293.89	12
6	8	46	8	352.67	8
7.67	6	58.78	6	450.63	6

Standard scope of delivery Gearbox lubricated for duration of service life, dust-proof package, motor pinion, mounting screws, paper gasket and assembly instructions (adapter plate optional).
Customized versions also available for small quantities.

Rated torque continuous	Type Standard	Type R	Nm	12	60	150
Rated torque intermittent	Type Standard	Type R	Nm	25	120	300
Rated torque continuous	Type V	Type S	Nm	25	120	150
Rated torque intermittent	Type V	Type S	Nm	50	150	300
Max. efficiency at rated torque			%	-	-	-
Average backlash at no load	Type Standard	Type V	arcmin ≤	20	35	50
Average backlash at no load	Type R		arcmin ≤	10	20	30
Average backlash at no load	Type S		arcmin ≤	6	12	15
Weight without adapter plate			g	3250	4750	6250
Dimension L			mm	61.5	88.5	115.5
Dimension L1			mm	40	37.5	
Dimension A			mm	18.5	16	
Dimension B			mm	40	37.5	
Max. radial load	FR	20 mm from shaft end	N	800		
Max. axial load	FA		N	640		
Max. continuous rated speed at drive			min ⁻¹	3000		
Max. intermittent rated speed at drive			min ⁻¹	5000		
Temperature range			°C	-25 / +90		

Type V = heavy duty version | Type R = reduced backlash version | Type S = low backlash version

Changes reserved © GYSIN AG | 10/2014